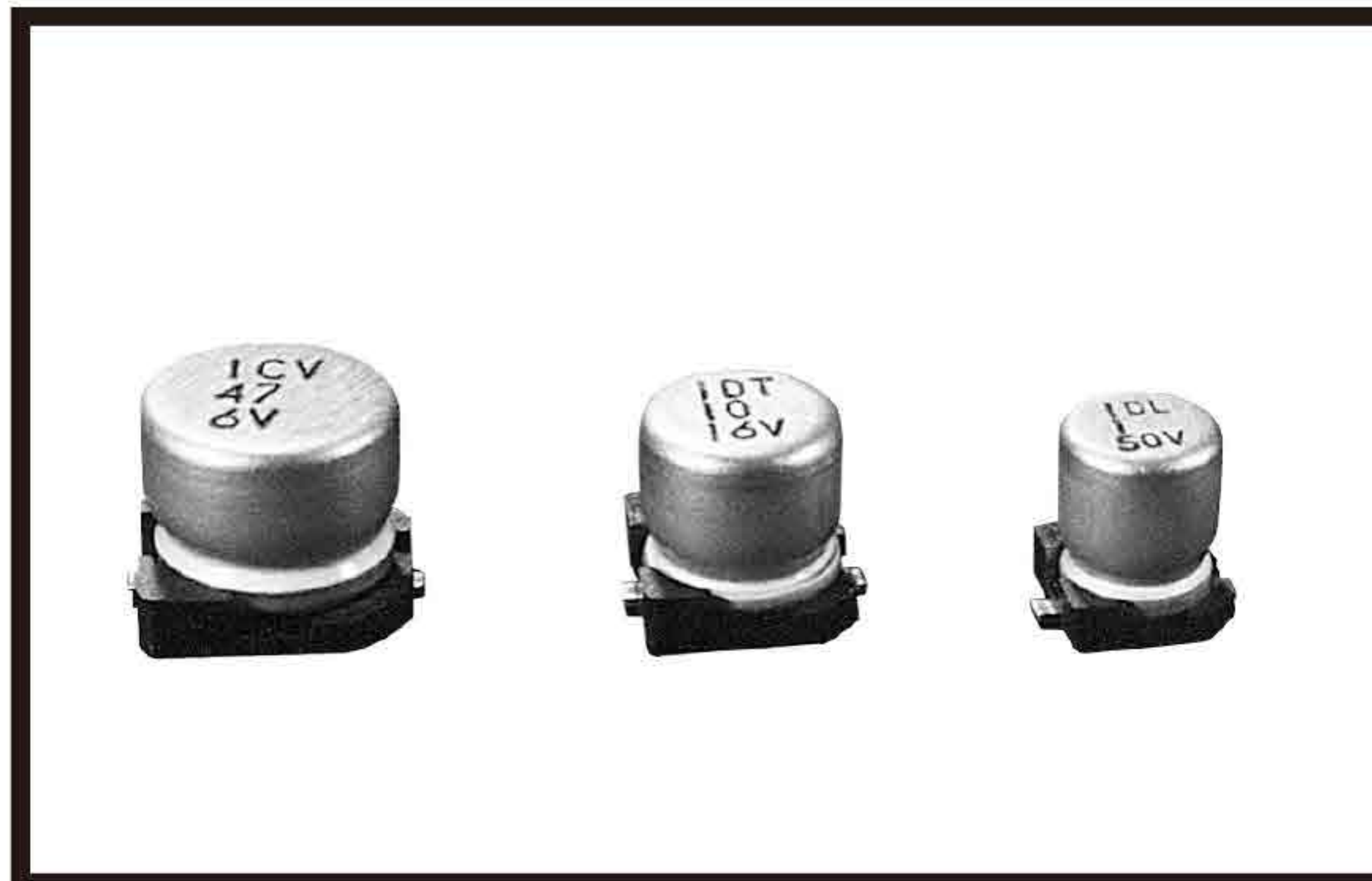


RVN SERIES

105°C Bi-polar, Lead Free Reflow Soldering.

◆ **FEATURES**

- Lead Free reflow soldering is available.
- Available for high density mounting.



◆ **SPECIFICATIONS**

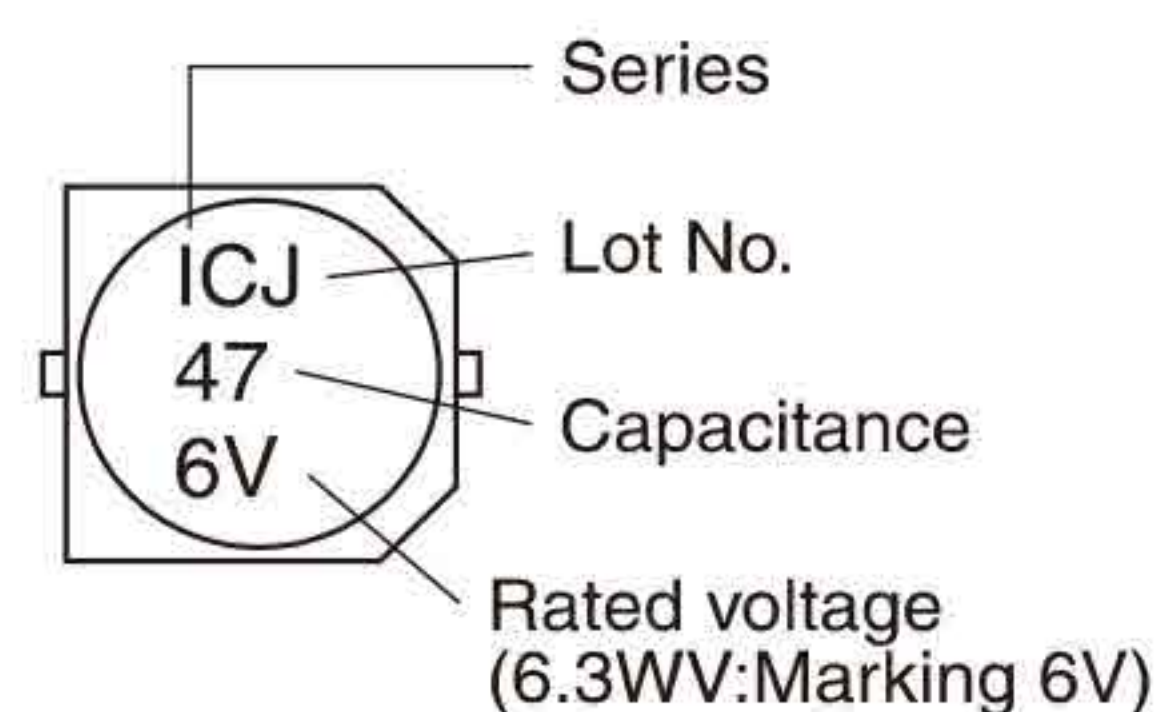
Items	Characteristics																						
Category Temperature Range	-55~+105°C																						
Rated Voltage Range	6.3~50V.DC																						
Capacitance Tolerance	±20%(20°C,120Hz)																						
Leakage Current(MAX)	I=0.05CV or 10μA whichever is greater. (After 2 minutes application of rated voltage) I=Leakage Current(μA) C=Rated Capacitance(μF) V=Rated Voltage(V)																						
Dissipation Factor(MAX)	<table border="1"> <tr> <td>Rated Voltage (V)</td> <td>6.3</td> <td>10</td> <td>16</td> <td>25</td> <td>35</td> <td>50</td> <td rowspan="2">(20°C,120Hz)</td> </tr> <tr> <td>tanδ</td> <td>0.35</td> <td>0.26</td> <td>0.24</td> <td>0.22</td> <td>0.20</td> <td>0.18</td> </tr> </table>	Rated Voltage (V)	6.3	10	16	25	35	50	(20°C,120Hz)	tanδ	0.35	0.26	0.24	0.22	0.20	0.18							
Rated Voltage (V)	6.3	10	16	25	35	50	(20°C,120Hz)																
tanδ	0.35	0.26	0.24	0.22	0.20	0.18																	
Endurance	<p>After applying rated voltage with rated ripple current for 1000hrs at 105°C, (The polarity shall be reversed every 250hrs.), the capacitors shall meet the following requirements.</p> <table border="1"> <tr> <td>Capacitance Change</td> <td>Within ±25% of the initial value.</td> </tr> <tr> <td>Dissipation Factor</td> <td>Not more than 200% of the specified value.</td> </tr> <tr> <td>Leakage Current</td> <td>Not more than the specified value.</td> </tr> </table>	Capacitance Change	Within ±25% of the initial value.	Dissipation Factor	Not more than 200% of the specified value.	Leakage Current	Not more than the specified value.																
Capacitance Change	Within ±25% of the initial value.																						
Dissipation Factor	Not more than 200% of the specified value.																						
Leakage Current	Not more than the specified value.																						
Low Temperature Stability Impedance Ratio(MAX)	<table border="1"> <tr> <td>Rated Voltage (V)</td> <td>6.3</td> <td>10</td> <td>16</td> <td>25</td> <td>35</td> <td>50</td> <td rowspan="3">(120Hz)</td> </tr> <tr> <td>Z(-25°C)/Z(20°C)</td> <td>4</td> <td>3</td> <td>2</td> <td>2</td> <td>2</td> <td>2</td> </tr> <tr> <td>Z(-40°C)/Z(20°C)</td> <td>8</td> <td>8</td> <td>4</td> <td>4</td> <td>3</td> <td>3</td> </tr> </table>	Rated Voltage (V)	6.3	10	16	25	35	50	(120Hz)	Z(-25°C)/Z(20°C)	4	3	2	2	2	2	Z(-40°C)/Z(20°C)	8	8	4	4	3	3
Rated Voltage (V)	6.3	10	16	25	35	50	(120Hz)																
Z(-25°C)/Z(20°C)	4	3	2	2	2	2																	
Z(-40°C)/Z(20°C)	8	8	4	4	3	3																	

◆ **MULTIPLIER FOR RIPPLE CURRENT**

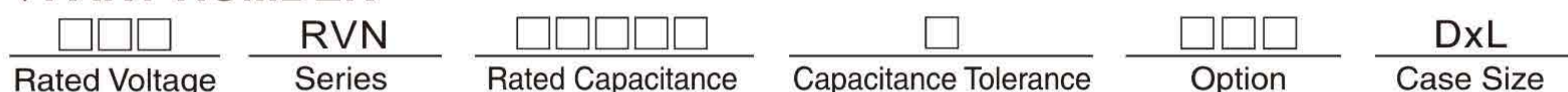
Frequency coefficient

Frequency (Hz)	60(50)	120	500	1k	10k≤
0.1~1μF	0.50	1.00	1.20	1.30	1.50
2.2~4.7μF	0.65	1.00	1.20	1.30	1.50
10~47μF	0.80	1.00	1.20	1.30	1.50

◆ **MARKING**

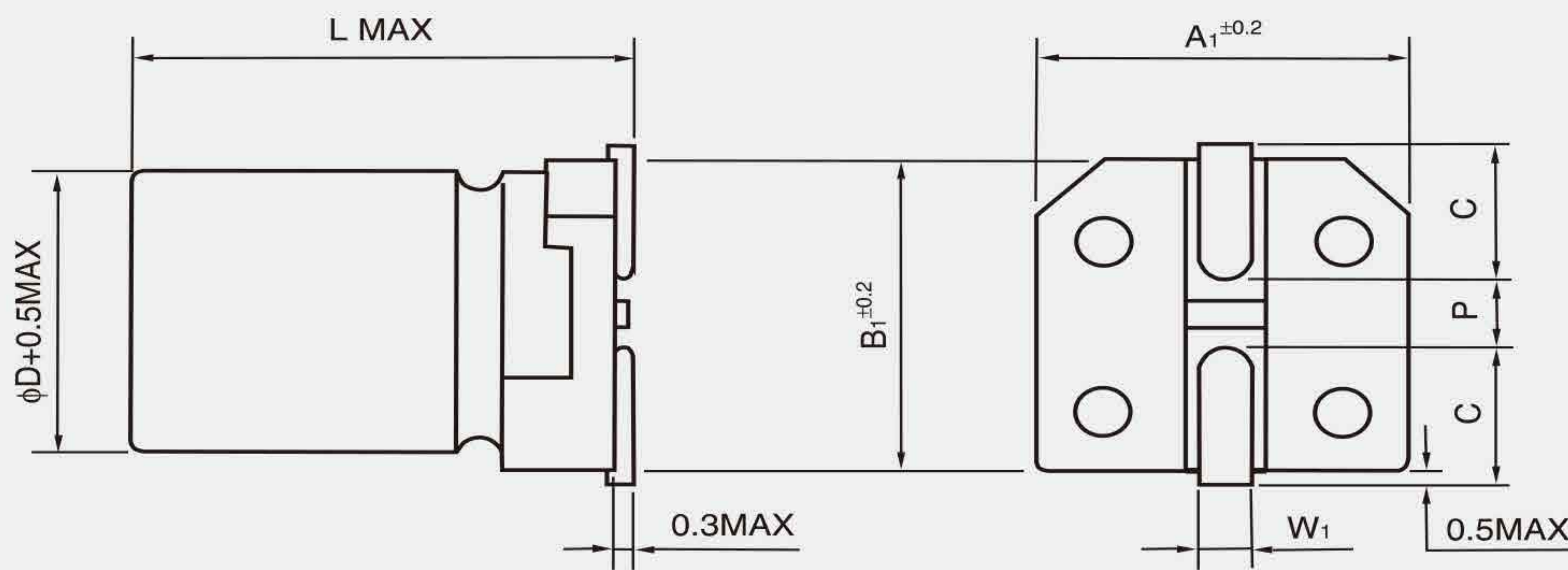


◆ **PART NUMBER**



◆ DIMENSIONS

(mm)



ϕD	L	A_1	B_1	C	W_1	P
4	5.5	4.3	4.3	1.8	0.5~0.8	1.0
5	5.5	5.3	5.3	2.2	0.5~0.8	1.3
6.3	5.5	6.6	6.6	2.7	0.5~0.8	1.8

◆ STANDARD SIZE, RATED RIPPLE CURRENT

Size $\phi D \times L$ (mm), Ripple Current (mA r.m.s./105°C, 120Hz)

WV (V.DC) Cap (μF)	6.3 (0J)		10 (1A)		16 (1C)		25 (1E)		35 (1V)		50 (1H)	
	Size	Ripple	Size	Ripple	Size	Ripple	Size	Ripple	Size	Ripple	Size	Ripple
0.1											4X5.5	1.0
0.22											4X5.5	2.0
0.33											4X5.5	2.8
0.47											4X5.5	4.0
1											4X5.5	8.4
2.2									4X5.5	8.4	5X5.5	13
3.3							4X5.5	10			5X5.5	17
4.7					4X5.5	12			5X5.5	18	6.3X5.5	20
10			4X5.5	17	5X5.5	23			6.3X5.5	29		
22	5X5.5	28			6.3X5.5	37						
33			6.3X5.5	35								
47	6.3X5.5	45										