

**SKV SERIES**

105°C, Lead Free Reflow Soldering.

◆ **FEATURES**

- Load Life : 105°C 1000 hours.
- Lead free reflow soldering is available.
- Available for high density mounting.



◆ **SPECIFICATIONS**

Items	Characteristics																						
Category Temperature Range	-55~+105°C																						
Rated Voltage Range	6.3~50V.DC																						
Capacitance Tolerance	±20%(20°C,120Hz)																						
Leakage Current(MAX)	I=0.01CV or 3μA whichever is greater. (After 2 minutes application of rated voltage) I=Leakage Current(μA)    C=Rated Capacitance(μF)    V=Rated Voltage(V)																						
Dissipation Factor(MAX)	<table border="1"> <thead> <tr> <th>Rated Voltage (V)</th> <th>6.3</th> <th>10</th> <th>16</th> <th>25</th> <th>35</th> <th>50</th> </tr> </thead> <tbody> <tr> <td rowspan="2">tanδ</td> <td>φ4~φ6.3</td> <td>0.30</td> <td>0.24</td> <td>0.20</td> <td>0.16</td> <td>0.14</td> <td>0.12</td> </tr> <tr> <td>φ8, φ10</td> <td>0.35</td> <td>0.26</td> <td>0.20</td> <td>0.16</td> <td>0.14</td> <td>0.12</td> </tr> </tbody> </table> (20°C,120Hz)	Rated Voltage (V)	6.3	10	16	25	35	50	tanδ	φ4~φ6.3	0.30	0.24	0.20	0.16	0.14	0.12	φ8, φ10	0.35	0.26	0.20	0.16	0.14	0.12
Rated Voltage (V)	6.3	10	16	25	35	50																	
tanδ	φ4~φ6.3	0.30	0.24	0.20	0.16	0.14	0.12																
	φ8, φ10	0.35	0.26	0.20	0.16	0.14	0.12																
Endurance	After applying rated voltage with rated ripple current for 1000 hrs at 105°C, the capacitors shall meet the following requirements. <table border="1"> <tbody> <tr> <td>Capacitance Change</td> <td>Within ±25% of the initial value. (φ8,10:±25%)</td> </tr> <tr> <td>Dissipation Factor</td> <td>Not more than 300% of the specified value. (φ8,10:200%)</td> </tr> <tr> <td>Leakage Current</td> <td>Not more than the specified value.</td> </tr> </tbody> </table>	Capacitance Change	Within ±25% of the initial value. (φ8,10:±25%)	Dissipation Factor	Not more than 300% of the specified value. (φ8,10:200%)	Leakage Current	Not more than the specified value.																
Capacitance Change	Within ±25% of the initial value. (φ8,10:±25%)																						
Dissipation Factor	Not more than 300% of the specified value. (φ8,10:200%)																						
Leakage Current	Not more than the specified value.																						
Low Temperature Stability Impedance Ratio(MAX)	<table border="1"> <thead> <tr> <th>Rated Voltage (V)</th> <th>6.3</th> <th>10</th> <th>16</th> <th>25</th> <th>35</th> <th>50</th> </tr> </thead> <tbody> <tr> <td>Z(-25°C)/Z(20°C)</td> <td>4</td> <td>3</td> <td>2</td> <td>2</td> <td>2</td> <td>2</td> </tr> <tr> <td>Z(-40°C)/Z(20°C)</td> <td>8</td> <td>8</td> <td>4</td> <td>4</td> <td>3</td> <td>3</td> </tr> </tbody> </table> (120Hz)	Rated Voltage (V)	6.3	10	16	25	35	50	Z(-25°C)/Z(20°C)	4	3	2	2	2	2	Z(-40°C)/Z(20°C)	8	8	4	4	3	3	
Rated Voltage (V)	6.3	10	16	25	35	50																	
Z(-25°C)/Z(20°C)	4	3	2	2	2	2																	
Z(-40°C)/Z(20°C)	8	8	4	4	3	3																	

◆ **MULTIPLIER FOR RIPPLE CURRENT**

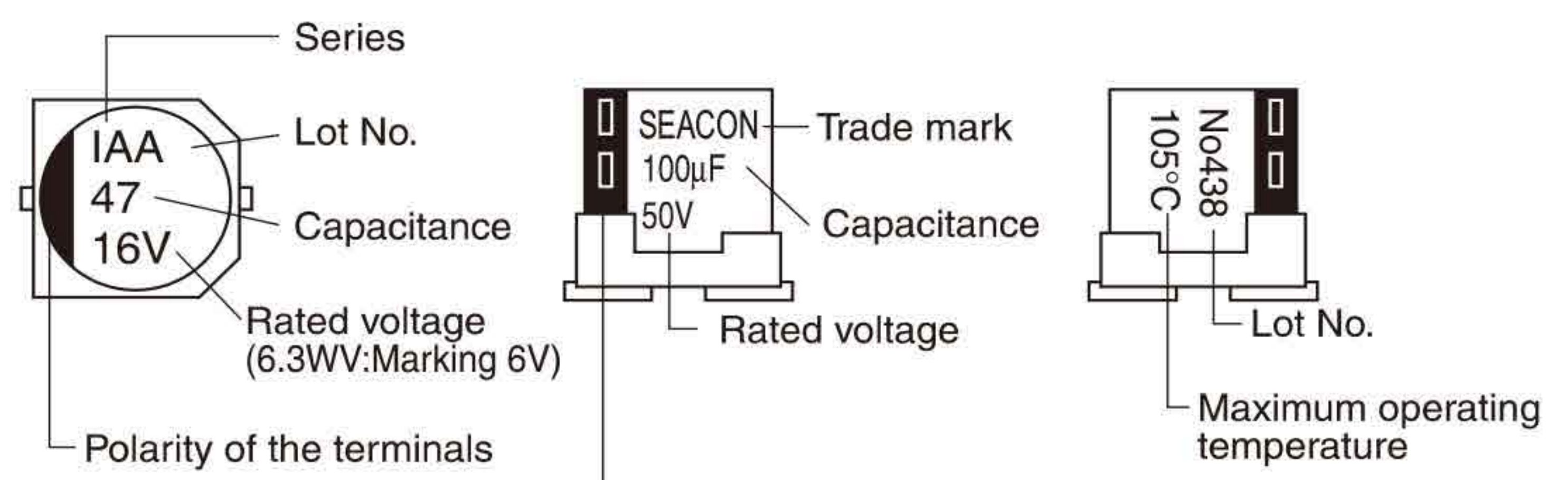
Frequency coefficient

Frequency (Hz)	60(50)	120	500	1k	10k≤
0.1~1μF	0.50	1.00	1.20	1.30	1.50
2.2~4.7μF	0.65	1.00	1.20	1.30	1.50
10~47μF	0.80	1.00	1.20	1.30	1.50
100~1000μF	0.80	1.00	1.10	1.15	1.20

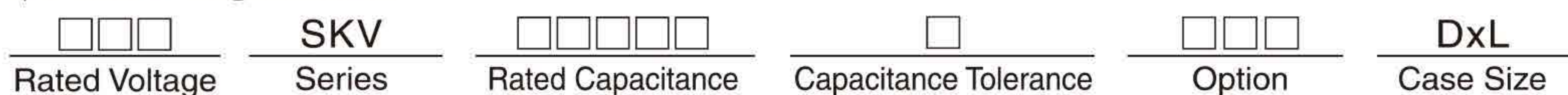
◆ **MARKING**

(φ4~φ6.3, φ8x6.5)

(φ8x10.5, φ10)

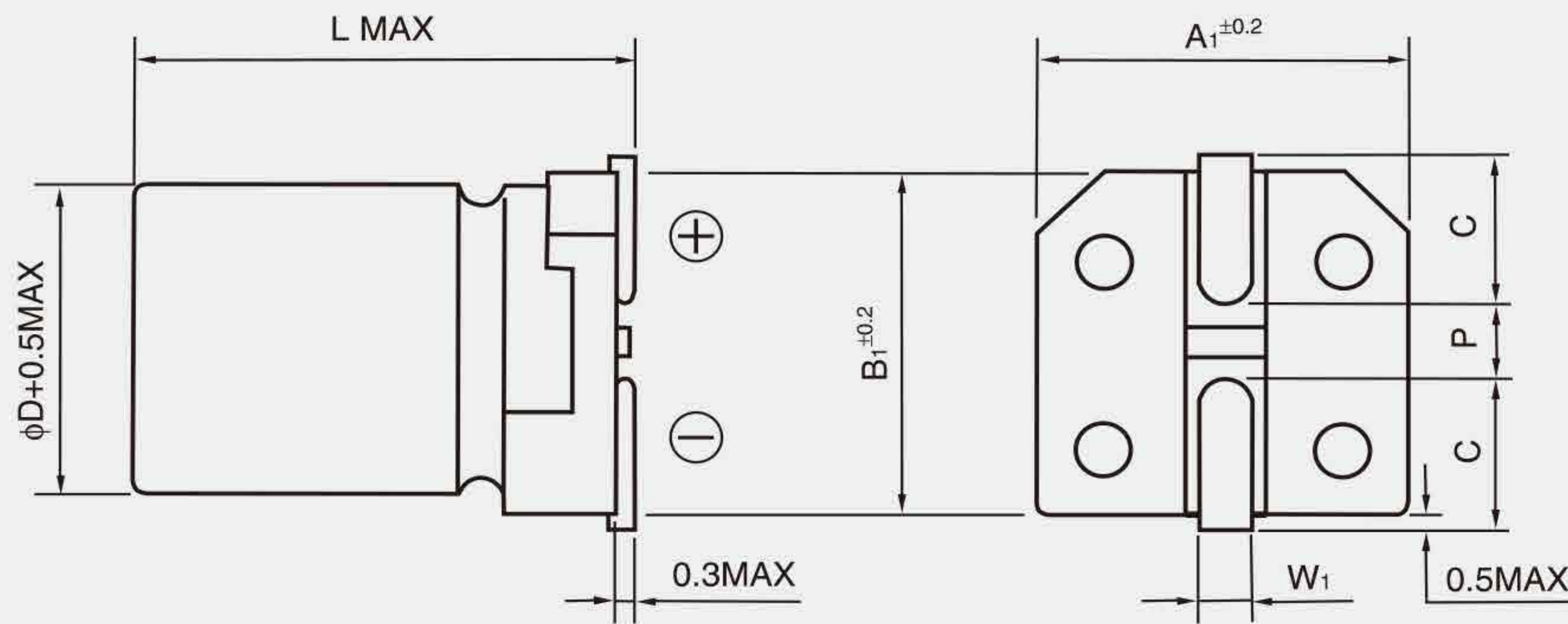


◆ **PART NUMBER**



◆ DIMENSIONS

(mm)



φ8X10.5 and φ10 have sleeve.

φD	L	A <sub>1</sub>	B <sub>1</sub>	C	W <sub>1</sub>	P
4	5.5	4.3	4.3	1.8	0.5~0.8	1.0
5	5.5	5.3	5.3	2.2	0.5~0.8	1.3
6.3	5.5	6.6	6.6	2.7	0.5~0.8	1.8
8	6.5	8.3	8.3	3.4	0.5~0.8	2.2
8	10.5	8.3	8.3	2.9	0.8~1.1	3.1
10	10.5	10.3	10.3	3.2	0.8~1.1	4.5

◆ STANDARD SIZE, RATED RIPPLE CURRENT

Size φDxL(mm), Ripple Current (mA r.m.s./105°C, 120Hz)

WV(V.DC) Cap(μF)	6.3 (0J)		10 (1A)		16 (1C)		25 (1E)		35 (1V)		50 (1H)	
	Size	Ripple	Size	Ripple	Size	Ripple	Size	Ripple	Size	Ripple	Size	Ripple
0.1											4X5.5	1.0
0.22											4X5.5	2.0
0.33											4X5.5	3.0
0.47											4X5.5	4.0
1											4X5.5	8.0
2.2											4X5.5	11
3.3											4X5.5	13
4.7									4X5.5	14	5X5.5	18
10					4X5.5	20			5X5.5	24	6.3X5.5	28
22	4X5.5	23			5X5.5	31			6.3X5.5	46	8X6.5	70
33			5X5.5	34			6.3X5.5	48			8X10.5	135
47	5X5.5	37			6.3X5.5	56					8X10.5 10X10.5	155 180
100	6.3X5.5	57					8X10.5	180	8X10.5 10X10.5	180 305	8X10.5 10X10.5	200 315
220					8X10.5	185	8X10.5 10X10.5	190 353	10X10.5	360		
330			8X10.5	195	8X10.5 10X10.5	195 440	10X10.5	450				
470	8X10.5	210	8X10.5 10X10.5	210 440	10X10.5	460						
1000	10X10.5	480										