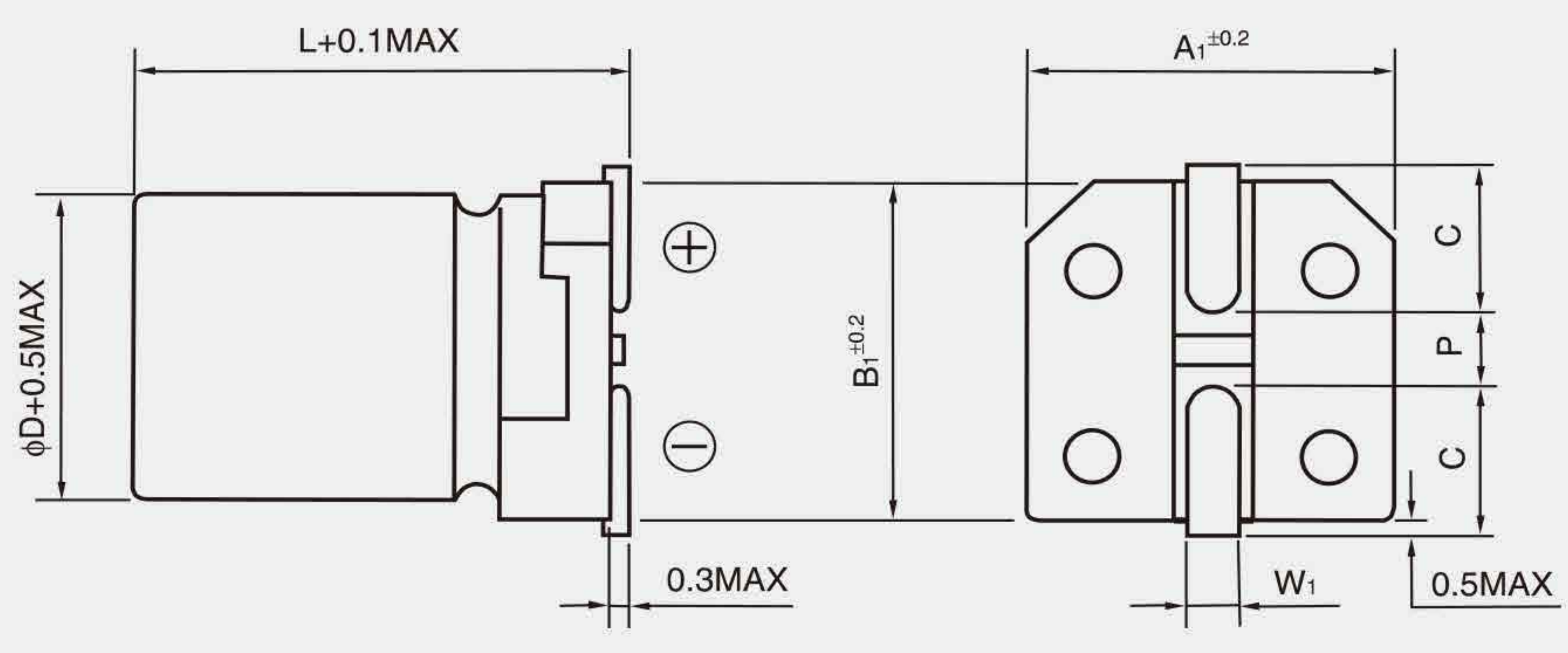


◆ DIMENSIONS

(mm)



ϕD	L	A_1	B_1	C	W_1	P
4	4.5	4.3	4.3	1.8	0.5~0.8	1.0
5	4.5	5.3	5.3	2.2	0.5~0.8	1.3
6.3	4.5	6.6	6.6	2.7	0.5~0.8	1.8

◆ STANDARD SIZE, RATED RIPPLE CURRENT

Size ϕDXL (mm), Ripple Current (mA r.m.s./85°C, 120Hz)

WV(V.DC) Cap(μF)	4 (0G)		6.3 (0J)		10 (1A)		16 (1C)		25 (1E)		35 (1V)		50 (1H)	
	Size	Ripple	Size	Ripple	Size	Ripple	Size	Ripple	Size	Ripple	Size	Ripple	Size	Ripple
0.1													4X4.5	1.0
0.22													4X4.5	2.0
0.33													4X4.5	2.8
0.47													4X4.5	4.0
1													4X4.5	8.4
2.2													4X4.5	14
3.3													4X4.5	17
4.7											4X4.5	18	5X4.5	22
10							4X4.5	25			5X4.5	30	6.3X4.5	35
22			4X4.5	29			5X4.5	39			6.3X4.5	48		
33	4X4.5	28			5X4.5	43			6.3X4.5	54				
47	4X4.5	34	5X4.5	46			6.3X4.5	60						
100	5X4.5	61	6.3X4.5	71										
220	6.3X4.5	96												