

BP CD71S

C-CON MINIATURE ALUMINUM ELECTROLYTIC CAPACITORS

1000h at 105°C

- Load life of 1000 hours at 105°C
- Bi-polar, For Horizontal deflection circuits
- High and stable quality



MINIATURE

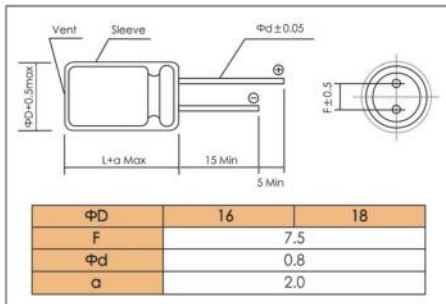
Items	Characteristics
Operating Temperature Range (°C)	-55~+105
Rated Voltage Range (V)	50,100
Capacitance Tolerance (20°C, 120Hz)	±20%
Leakage Current (µA)	After 3 minutes at 20°C application of rated voltage, leakage current is not more than 100. C: Nominal Capacitance (µF) V: Rated Voltage (V)
Dissipation Factor (20°C, 120Hz)	0.05

	Useful Life		Load Life	Endurance Test	Shelf Life
Lifetime	2000h	100000h	1000h	1000h	500h
Leakage Current	Not more than specified value		Not more than specified value	Not more than specified value	Not more than specified value
Capacitance Change	Within ± 30% of initial value		Within ± 15% of initial value	Within ± 15% of initial value	Within ± 15% of initial value
Dissipation Factor	Not more than 500% of specified value		Not more than 200% of specified value	Not more than 200% of specified value	Not more than 200% of specified value
Condition: Applied Voltage Applied Current Applied Temperature	U_k I_k 105°C	U_k $1.4 \times I_k$ 40°C	U_k I_k 105°C	U_k $I_k = 0$ 105°C	After test: U_k to be applied for 30min >24h before measurement $U_k = 0$ $I_k = 0$ 105°C

Note: The life test excluding shelf life should be conducted with the polarity inverted every 250hrs.

Dimensions

mm



Ratings for CD 71S HX Series

U_k (Surge Voltage) Code	Rated Capacitance	Max ESR 20°C, 120Hz	Rated Current Ap-p 15.75kHz			Size Φ x L	P/N
			105°C	85°C	70°C		
(V)	(µF)	(Ω)	(mA _{RMS})	(mA _{RMS})	(mA _{RMS})	(mm)	-
50 (63) 1H	2.2	30.16	3.4	5.8	7.5	16 x 25.5	ECR1HHX2R2M□□160025
	3.3	20.11	4.1	7	9.1	16 x 31.5	ECR1HHX3R3M□□160031
	4.7	14.12	4.5	7.8	10.0	16 x 35.5	ECR1HHX4R7M□□160035
	6.8	9.76	4.6	8	10.4	16 x 35.5	ECR1HHX6R8M□□160035
	10	6.63	4.9	8.6	11.1	16 x 35.5	ECR1HHX100M□□160035
	15	4.42	5.4	9.5	12.2	18 x 40	ECR1HHX150M□□180040
100 (125) 2A	1	66.35	2.8	4.9	6.8	16 x 25.5	ECR2AHX010M□□160025
	2.2	30.16	3.4	5.8	7.5	16 x 25.5	ECR2AHX2R2M□□160025
	3.3	20.11	4.1	7	9.1	16 x 31.5	ECR2AHX3R3M□□160031
	4.7	14.12	4.5	7.8	10.0	16 x 35.5	ECR2AHX4R7M□□160035
	6.8	9.76	4.6	8	10.4	16 x 35.5	ECR2AHX6R8M□□160035
	10	6.63	4.9	8.6	11.1	16 x 35.5	ECR2AHX100M□□160035

Temperature Coefficient

Temperature(°C)	+70	+85	+105
Coefficient	1.8	1.4	1.0

Customer products are available on request.